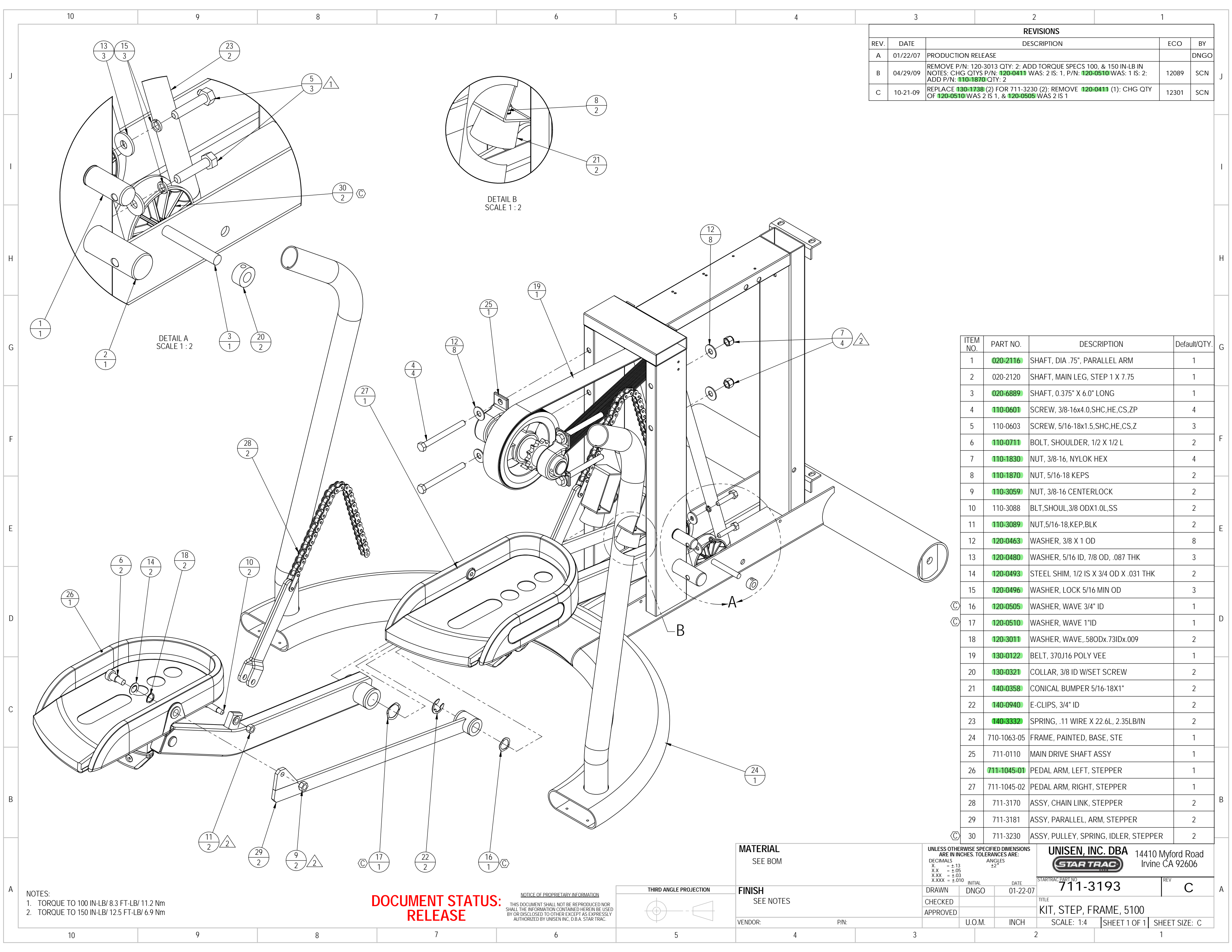


REVISIONS				
REV.	DATE	DESCRIPTION	ECO	BY
A	01/22/07	PRODUCTION RELEASE		DNGO
B	04/29/09	REMOVE P/N: 120-3013 QTY: 2; ADD TORQUE SPECS 100, & 150 IN-LB IN NOTES; CHG QTY'S P/N: 120-0411 WAS: 2 IS: 1, P/N: 120-0510 WAS: 1 IS: 2; ADD P/N: 110-1870 QTY: 2	12089	SCN
C	10-21-09	REPLACE 130-1738 (2) FOR 711-3230 (2); REMOVE 120-0411 (1); CHG QTY OF 120-0510 WAS 2 IS 1, & 120-0505 WAS 2 IS 1	12301	SCN

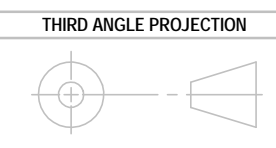


ITEM NO.	PART NO.	DESCRIPTION	Default/QTY.
1	020-2116	SHAFT, DIA .75", PARALLEL ARM	1
2	020-2120	SHAFT, MAIN LEG, STEP 1 X 7.75	1
3	020-6889	SHAFT, 0.375" X 6.0" LONG	1
4	110-0601	SCREW, 3/8-16x4.0,SHC,HE,CS,ZP	4
5	110-0603	SCREW, 5/16-18x1.5,SHC,HE,CS,Z	3
6	110-0711	BOLT, SHOULDER, 1/2 X 1/2 L	2
7	110-1830	NUT, 3/8-16, NYLOK HEX	4
8	110-1870	NUT, 5/16-18 KEPS	2
9	110-3059	NUT, 3/8-16 CENTERLOCK	2
10	110-3088	BLT,SHOUL,3/8 ODX1.0L,SS	2
11	110-3089	NUT,5/16-18,KEP,BLK	2
12	120-0463	WASHER, 3/8 X 1 OD	8
13	120-0480	WASHER, 5/16 ID, 7/8 OD, .087 THK	3
14	120-0493	STEEL SHIM, 1/2 IS X 3/4 OD X .031 THK	2
15	120-0496	WASHER, LOCK 5/16 MIN OD	3
16	120-0505	WASHER, WAVE 3/4" ID	1
17	120-0510	WASHER, WAVE 1"ID	1
18	120-3011	WASHER, WAVE, .58ODx.73IDx.009	2
19	130-0122	BELT, 370J16 POLY VEE	1
20	130-0321	COLLAR, 3/8 ID W/SET SCREW	2
21	140-0358	CONICAL BUMPER 5/16-18X1"	2
22	140-0940	E-CLIPS, 3/4" ID	2
23	140-3332	SPRING, .11 WIRE X 22.6L, 2.35LB/IN	2
24	710-1063-05	FRAME, PAINTED, BASE, STE	1
25	711-0110	MAIN DRIVE SHAFT ASSY	1
26	711-1045-01	PEDAL ARM, LEFT, STEPPER	1
27	711-1045-02	PEDAL ARM, RIGHT, STEPPER	1
28	711-3170	ASSY, CHAIN LINK, STEPPER	2
29	711-3181	ASSY, PARALLEL, ARM, STEPPER	2
30	711-3230	ASSY, PULLEY, SPRING, IDLER, STEPPER	2

NOTES:  
 1. TORQUE TO 100 IN-LB/ 8.3 FT-LB/ 11.2 Nm  
 2. TORQUE TO 150 IN-LB/ 12.5 FT-LB/ 6.9 Nm

**DOCUMENT STATUS:  
RELEASE**

NOTICE OF PROPRIETARY INFORMATION  
 THIS DOCUMENT SHALL NOT BE REPRODUCED NOR SHALL THE INFORMATION CONTAINED HEREIN BE USED BY OR DISCLOSED TO OTHER EXCEPT AS EXPRESSLY AUTHORIZED BY UNISEN, INC. D.B.A. STAR TRAC.



<b>MATERIAL</b> SEE BOM		UNLESS OTHERWISE SPECIFIED DIMENSIONS ARE IN INCHES. TOLERANCES ARE: DECIMALS X = ±.13 XX = ±.05 XXX = ±.03 X.XXX = ±.010		<b>UNISEN, INC. DBA</b> <b>STAR TRAC</b> 14410 Myford Road Irvine CA 92606	
<b>FINISH</b> SEE NOTES		DRAWN	DNGO	DATE	01-22-07
VENDOR:		P/N:		STARTRAC PART NO. <b>711-3193</b>	
		CHECKED		TITLE KIT, STEP, FRAME, 5100	
		APPROVED		SCALE: 1:4	SHEET 1 OF 1
		U.O.M.	INCH	SHEET SIZE: C	